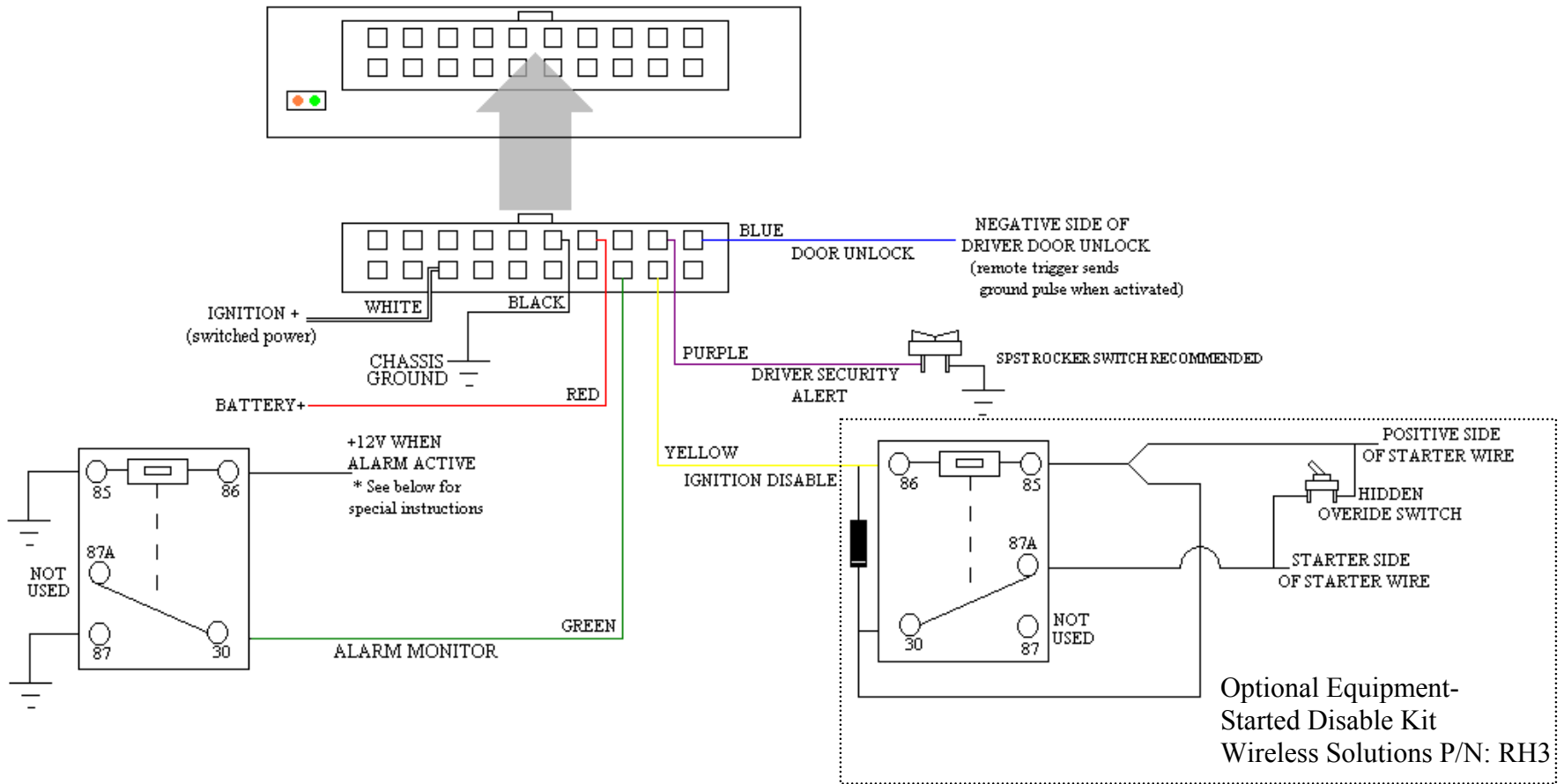


Wiring Diagram

[IMEI# starting in 3520 or 3577]

TO TEST UNIT LOG ON TO <http://install.insightmobiledata.com>

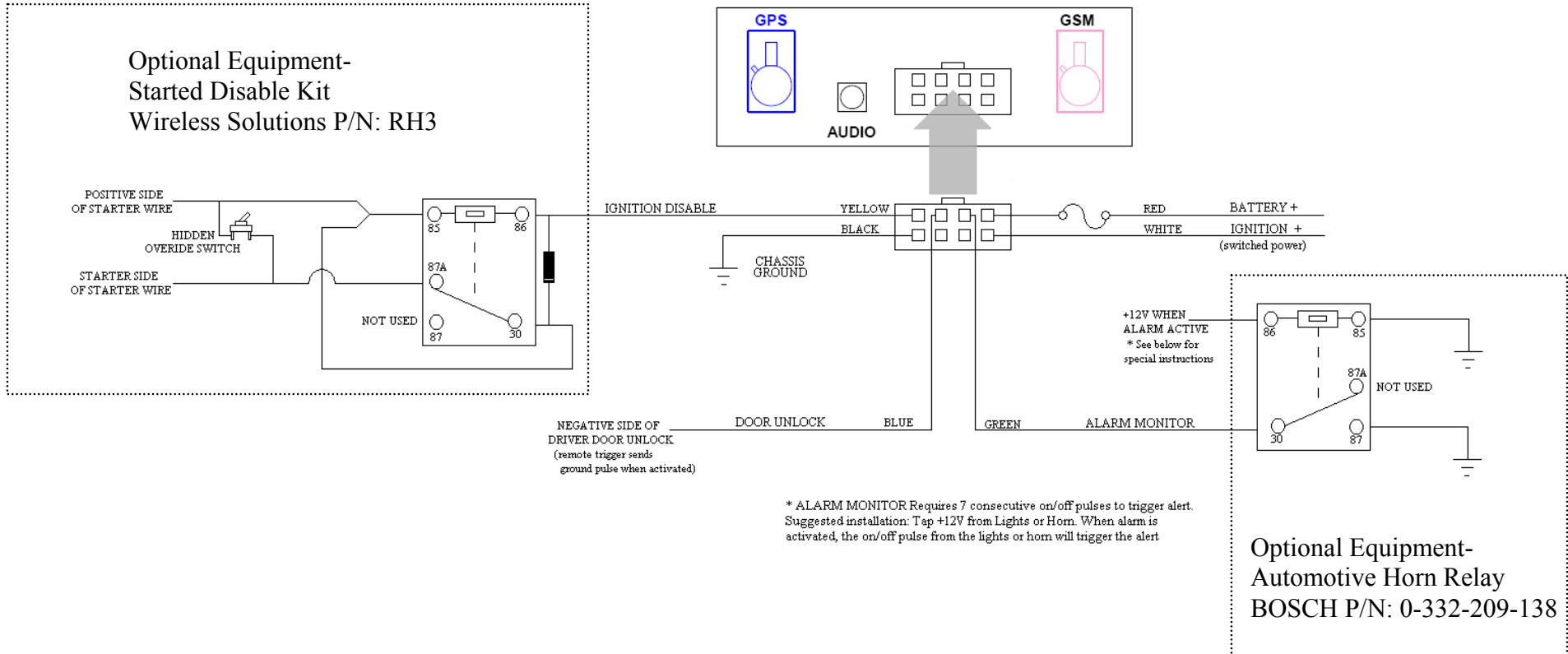


* ALARM MONITOR Requires 7 consecutive on/off pulses to trigger alert.
Suggested installation: Tap +12V from Lights or Horn. When alarm is activated, the on/off pulse from the lights or horn will trigger the alert

Wiring Diagram

[IMEI# starting in 011252]

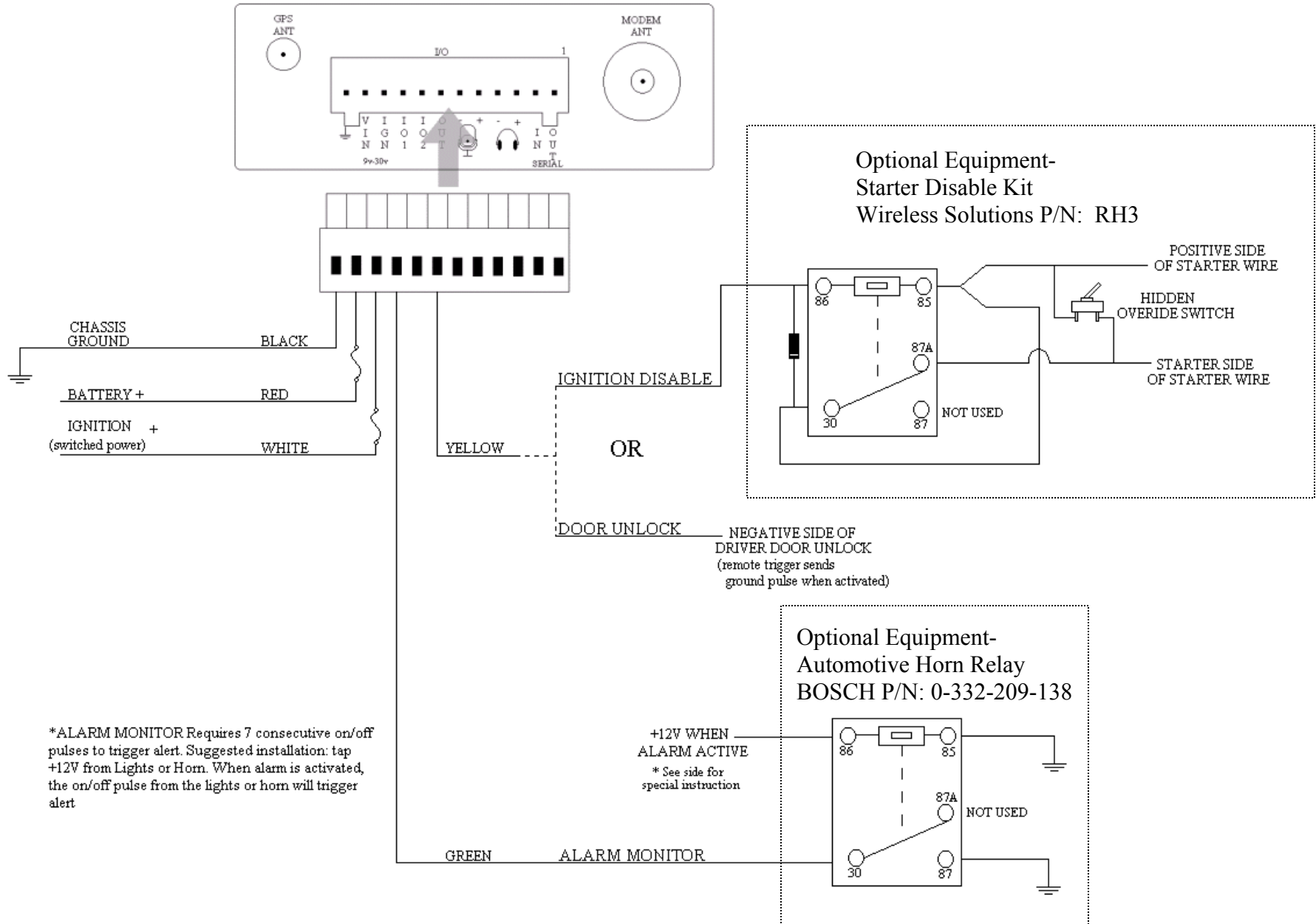
TO TEST UNIT LOG ON TO <http://install.insightmobiledata.com>



Wiring Diagram

[IMEI# starting in 010657]

TO TEST UNIT LOG ON TO <http://install.insightmobiledata.com>



*ALARM MONITOR Requires 7 consecutive on/off pulses to trigger alert. Suggested installation: tap +12V from Lights or Horn. When alarm is activated, the on/off pulse from the lights or horn will trigger alert

+12V WHEN ALARM ACTIVE
* See side for special instruction